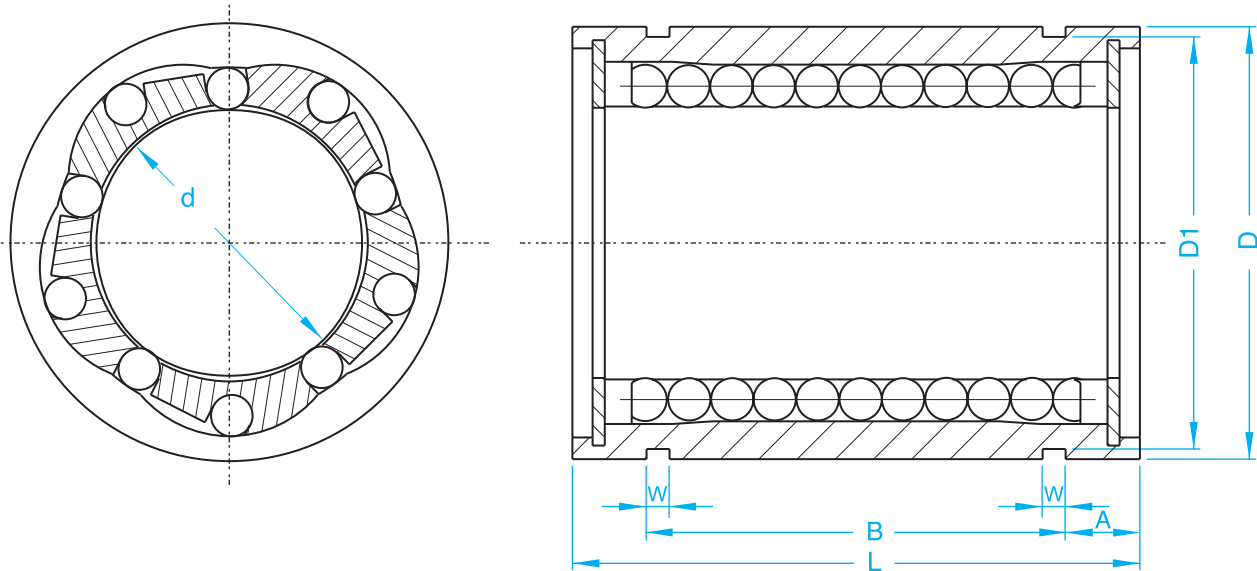


### Standard Type



Unit : mm

Model No.	Basic Dimension									Load (Kgf)		Weight(g)
	d	D	D tolerance (μm)	L	L tolerance (μm)	W	D1	B	A	Dynamic load rating (Ca)	Static load rating (Coa)	
LM4UU	4	8	0	12	0	-	-	-	-	9	13	2
LM6UU	6	12		19		1.1	11.5	13.5	2.75	20	27	8
LM8UU	8	15	-11	24		1.1	14.3	17.5	3.25	27	41	16
LM10UU	10	19	0	29		1.3	18	22	3.5	38	55	30
LM12UU	12	21	-13	30		1.3	20	23	3.5	42	60	31.5
LM16UU	16	28		37		1.6	27	26.5	5.25	78	119	69
LM20UU	20	32	0	42		1.6	30.5	30.5	5.75	83	140	87
LM25UU	25	40	-16	59	0	1.85	38	41	9	100	159	220
LM30UU	30	45		64		1.85	43	44.5	9.75	159	279	250
LM40UU	40	60	0	80	-30	2.1	57	60.5	9.75	219	409	585
LM50UU	50	80	-19	100		2.6	76.5	74	13	389	808	1580

Note : UU with oil seals in ends